

Self-erecting towercrane on self-propelled undercarriage



Specifications

Self-erecting 21 tm towercrane

- Jiblength of 26 m and lifting height of 18,7 m or maximum 25,9 m with raised jib
- Maximum capacity of 1800 kg, lifting, trolley and slewing motion controlled by inverter
- Octogonal galvanised tower and compact galvanised lattice jib
- Equipped with maximum load and loadmoment safety systems
- Craneoperation and erection within 10 minutes via radio-control with display
- Removable steel counterweight of 2 x 4150 kg with a slewing radius of 2,13 m
- Automatic lubrication, selector switch for jib configurations

Self-propelled 4WDS undercarriage

- Electro-mechanical four-wheel drive with 2 speeds and four-wheel steer
- Can be driven fully erected
- Heavy axles with hubreduction and 8 pcs 9.00 x 20 tyres with terrainprofile
- Four extendable hydraulic outriggers with a base of 4,0 x 4,0 m
- Driving and steering via cable control unit with pushbuttons
- Power supply 400 V - 3 x 25 A or optional 20 kVA soundproof genset on the undercarriage
- Compact transport dimensions: (l x b x h) 12,1 m x 2,8 m x 3,1 m, total weight 21,4 ton



T: +45 7025 6363



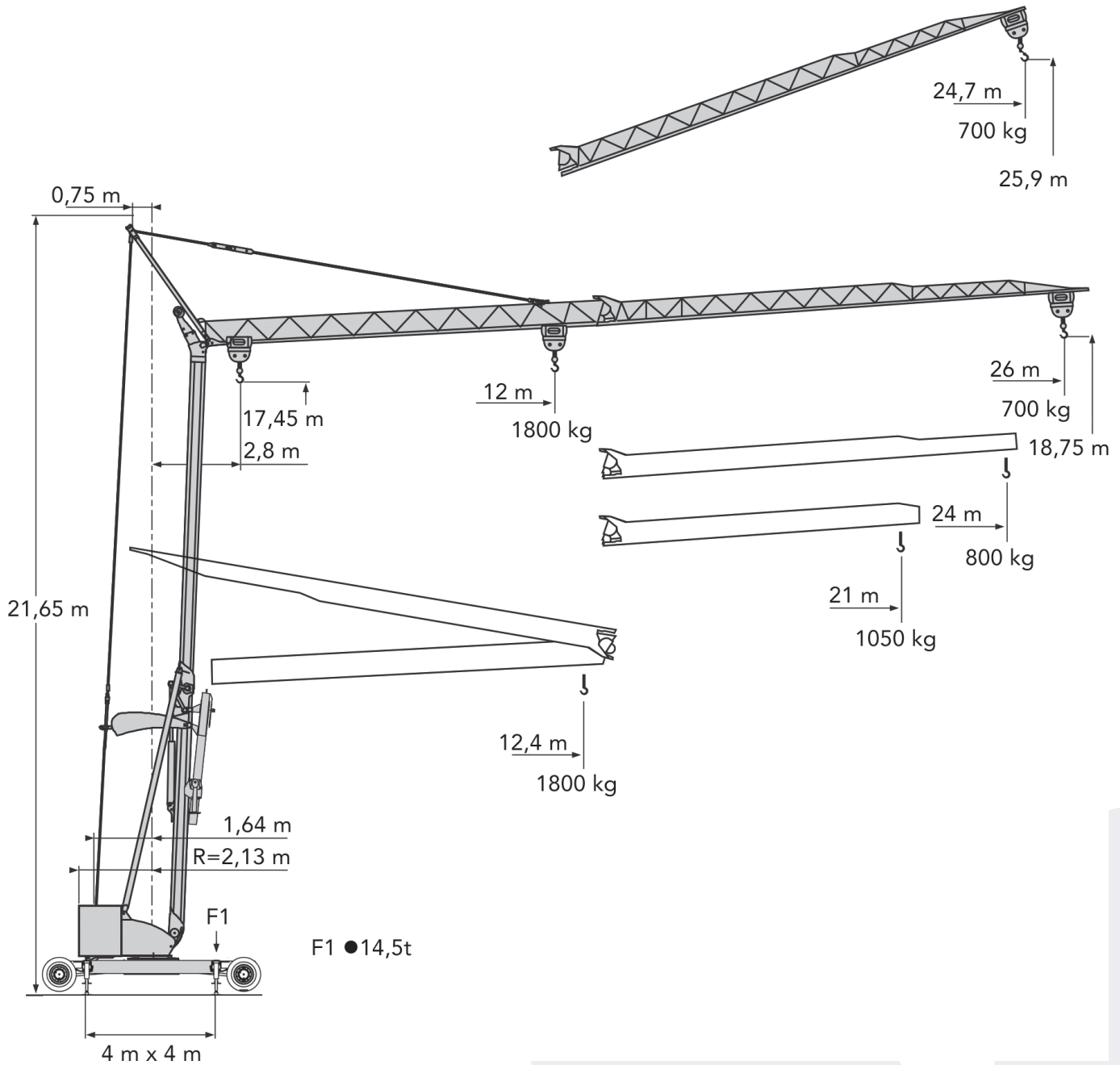
www.ajos.dk



Godthåbsvej 4
7100 Vejle



Bragesvej 2
4600 Køge



Loadchart

Radius (m)	12	13	14	15	16	18	20	22	24	26
Capacity (kg)	1800	1630	1490	1370	1265	1095	965	860	775	700



T: +45 7025 6363



www.ajos.dk



Godthåbsvej 4
7100 Vejle



Bragesvej 2
4600 Køge